

### Model

The X4S Series Mobile DVR is an intelligent and professional CCTV management solution, integrating the latest technology and the most advanced features while maintaining a simple, intuitive, and graphical interface. The X4S Series Mobile DVR is a 24/7 turn key solution that meets demanding security needs to suit industrial and commercial applications.

### Features

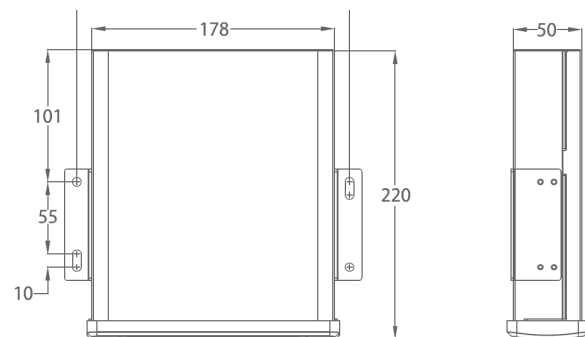
- 4 channels mobile standalone DVR
- H.264 video compression algorithm
- 1DIN compact size (the car CD machine standard size) and standard car electronic interface, easy for embedded installation
- Multi-information display and recording: Car Number, Time, Channel, GPS, Speed, support freely setting of overlay and recording
- Watermark technology prevent video data tampering, to ensure the authenticity of the record

- Support wide voltage car power supply input (8~60V), protection of overvoltage, under-voltage, short circuit and over-current
- Air connector interface used, provide excellent waterproof, shockproof performance
- Pluggable HDD-case used, provide powerful vibration-proof capability
- Multi-Interface such as USB 2.0, Ethernet port, RS232, RS485 port, VGA,
- Alarm in/out etc
- Built-in web server, multi-DVR client, MSS & CMS

### Rear Panel



### Dimensions (mm)





<b>Model</b>	
<b>System</b>	
Main Processor	High performance embedded microprocessor
Operating System	Embedded LINUX
System Resources	Pentaplex function: live, recording, playback, backup & remote access
Control Mode	USB mouse, IR remote control, Keyboard, Network
<b>Video</b>	
Input	4 channel, Air connector to BNC (1.0Vp-p, 75Ω)
Standard	NTSC (525 Line, 60 f/s), PAL (625 Line, 50 f/s)
Output	2 TV, Air connector to BNC (1.0Vp-p, 75Ω), 1VGA (RJ45 port extension)
<b>Audio</b>	
Input	4 channel, Air connector to BNC(200-2800mV, 30KΩ)
Output	2 channel, Air connector to BNC(200-3000mV, 5KΩ)
Bidirectional Talk	1 channel Input, (200-2800mV, 30KΩ) 1 channel Output, (200-3000mV, 5KΩ) 4-pin port extension
<b>Display</b>	
Display Split	1/4
Resolution	1280×1024, 1280×720, 1024×768, 800×600
Tour Display	Support
Privacy Masking	
OSD	GPS information, Camera name, time, video loss, camera lock, motion detection, recording
<b>Recording</b>	
Video/Audio Compression	H.264 / PCM
Image Resolution	D1/4CIF(704×576/704×480) / HD1(352×576/352×480) / 2CIF(704×288/704×240) / CIF(352×288/352×240) / QCIF(176×144/176×120)
Bit Rate	32~2048Kb/s
Image Quality	1~6 level(level 6 is the best, VBR effectively)
Recording Mode	Manual, Schedule(Regular(Continuous), MD(Video detection: Motion detection, Camera blank, Video loss), Alarm), Stop
Recording Priority	Manual >Alarm >MD >Regular
Recording Interval	1~120 min. (default: 60 min.), Pre-record: 1~30 sec., Post-record: 10~300 sec.
<b>Video Detection &amp; Alarm</b>	
Trigger Events	Recording, PTZ movement, Tour, Alarm, Email, Snapshot
Motion Detection	Zones: 396(22×18), Sensitivity: 1~6 (level 6 is highest)
Video Loss & Camera Blank	Support
Alarm Input	7 channel
Relay Output	2 channel
<b>Playback &amp; Backup</b>	
Playback Channel	1/2/4
Search Mode	Time/Date, Alarm, Motion Detection & Exact search (accurate to second)
Playback Functions	Play, Pause, Stop, Rewind, Fast play, Slow play, Next file, Previous file, Next camera, Previous camera, Full screen, Repeat, Shuffle, Backup selection, Digital zoom(any size)
Backup Mode	Pluggable HDD-case / Flash drive / USB HDD / USB CD/DVD-RW / SD card / Network download
<b>Network</b>	
Ethernet	RJ-45 port (10/100M)
Wi-Fi	Optional
3G	Optional
Network Functions	TCP/IP, UDP, DHCP, DNS, IP Filter, PPPOE, DDNS, FTP, Email, Alarm Server
Remote Operation	Monitor, PTZ control, Playback, System setting, File download, Log information
<b>Hard Disk</b>	
Hard Disk	1 SATA 2.5-inch HDD, Pluggable HDD-case
SD Card	Optional (2 SD card supported)
Space Occupation	Audio: 28.8MB/H, Video: 56~900MB/H
HDD Management	Hard disk hibernation technology, HDD faulty alarm & Raid(Redundancy)
<b>Auxiliary Interface</b>	
USB Interface	2 ports, 1 in front, another extension
RS232	2 ports, RJ11, Communication
RS485	PTZ control
GPS	Optional
<b>Environmental</b>	
Power Supply	+12V / +24V / +60V(+8V~+60V)
Power Consumption	<15W(with HDD)
Working Environment	0°C~+55°C / 10%~95%RH / 86~106kpa
Dimension	178mm×220mm×50mm(W×D×H)
Weight	2.1KG(with HDD)
Vibration-Proof	5Hz~300Hz: X / Y / Z each direction 8 hours 5Hz~11Hz: Vibration amplitude 10mm 11Hz~300Hz: 50m/s <sup>2</sup>