

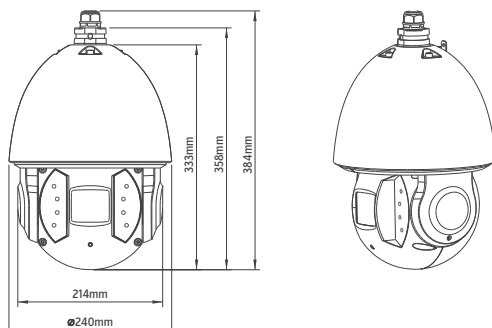


2MP IR 30X PTZ IP Camera w/AVA Analytics and Optional Auto-Tracking

Features

- Powerful 30X Optical Zoom, 16X Digital Zoom (480X)
- 1/1.9" HD CMOS Progressive Scan Sensor
- 6–180mm Lens offering a 61.2–2.1° Field of View
- Defog, EIS, ROI, WDR [120dB], Day/Night (ICR), DNR (2D & 3D), Auto Iris, Auto Focus, AWB, AGC, BLC
- Remote Monitoring with iPhone, iPad or PC (Internet Browser, ARMS Pro/HD, X5 Synergy VMS)
- Max 240°/s Pan Speed, 360° Endless Rotation
- Up to 300 Presets, 5 Auto Scans, 8 Tours, 5 Patterns
- Built-in 7/2 Alarm In/Out
- IR Distance up to 200m/650ft
- Edge Recording via SD Card
- Vandal-Proof IP67 & IK10 Housing

Dimensions



Camera		
Image Sensor	1/1.9" Exmor Progressive Scan CMOS	
Effective Pixels	1920 × 1080 (2,073,600 Pixels)	
Minimum Illumination	0.002/0.001 Lux/f1.5 (Color/B&W), 0 Lux/f1.5 (IR on)	
S/N Ratio	> 56dB	
Camera Features		
Day/Night	Auto (ICR) / Color / B&W	
Backlight Compensation	BLC / HLC / WDR (120dB)	
White Balance	Auto, ATW, Indoor, Outdoor, Manual	
Gain Control	Auto / Manual	
Noise Reduction	3D Digital Noise Reduction	
Privacy Masking	Up to 24 areas	
Defog	Yes	
Lens		
Focal Length	6mm–180mm (30X Optical Zoom)	
Max Aperture	f1.5–f4.3	
Focus Control	Auto / Manual	
Angle of View	H: 61.2° ~ 2.1°	
PTZ		
Pan/Tilt Range	Pan: 0° ~ 360° Endless; Tilt: -20° ~ 90°, Auto Flip 180°	
Manual Control Speed	Pan: 0.1° ~ 200°/s, Tilt: 0.1° ~ 120°/s	
Preset Speed	Pan: 240°/s, Tilt: 200°/s	
PTZ Modes	5 Patterns, 8 Tours, Auto Pan, Auto Scan	
Idle Motion	Activate Preset/Tour/Scan/Pattern after a preset amount of time	
Powerup Action	Auto-restore previous view	
Scheduled Actions	Activate Preset/Tour/Scan/Pattern at a preset time	
Video		
Compression	H.264 / MJPEG / TV SYSTEM : PAL/NTSC	
Resolution	1080p (1920×1080) / 720p (1280×720) / D1 (704×576) / CIF (352×288)	
Frame Rate	Main Stream	1080p [1–25/30fps] / 720p [1–50/60fps]
	Sub Stream 1	D1/CIF [1 ~ 25/30fps]
	Sub Stream 2	1080p/720p/D1/CIF [1–25/30fps]
Bit Rate	H.264: 448K ~ 8192Kbps, MJPEG: 4096K ~ 20480Kbps	
Audio		
Compression	G.711a / G.711μ / G.726 / AAC	
Interface	1/1 Channel In/Out	
AVA Analytics & Auto Tracking (optional)		
Auto Tracking	Single-Scene, Multi-Scene	
Detection Types	Bi-Directional Tripwire, Perimeter Intrusion Detection, Missing/Abandoned Object, Face Detection	
Network		
Ethernet	RJ-45	
Protocol	IPv4/IPv6, HTTP, HTTPS, SSL, TCP/IP, UDP, UPnP, iCMP, IGMP, SNMP, RTSP, RTP, NTP, DHCP, DNS, PPPoE, DDNS, IP Filter	
Compatibility	ONVIF, PSIA, CGI	
Remote Access	iPhone, iPad, Android, PC (ARMS Pro/HD, Internet Browser, X5 Synergy VMS)	
General		
Power Supply	AC24V/3A (±25%), Hi-PoE	
Power Consumption	24W, 38W (IR on)	
Working Environment	-40°C ~ 70°C / < 90% RH	
Ingress Protection	IP67 & IK10	
Lightning Protection	8kV	
Dimensions	Ø240mm × 384mm	
Weight	6.8kg	